

VersaTrax™

P-Series

Best in Class. Far...and Away



NOBODY COMES REMOTELY CLOSE TO OUR REMOTELY OPERATED ROBOTICS

VersaTrax™ is a state-of-the-art robotic architecture providing RVI, mobility, and access to confined or difficult-to-access spaces.

Remote Visual Inspection and more

The VersaTrax P-Series is a state-of-the-art pipe inspection system with advanced capabilities. This sophisticated robotic crawler provides detailed remote visual inspection, traveling up to one kilometer (3,300 ft) in a single run.

It is well suited for various integrity assessments across a broad range of industries, offering unmatched versatility and flexibility.

The VersaTrax can be utilized for regular maintenance and monitoring campaigns or for quickly troubleshooting a problem in emergencies. The VersaTrax is an essential component of any NDT toolkit requiring remote access visual assessments.

Industries

- Petrochemical
- Oil & Gas
- Nuclear
- Mining
- Municipal
- Water

Applications

- Tunnels
- Unpiggable pipeline
- Power plant pipeline
- Fresh water line
- Sewer
- FOSAR



BEST IN CLASS. FAR... AND AWAY.

VersaTrax™ inspection crawlers offer a wide variety of configurations that can tackle almost any confined space inspection application.

Truly versatile

While VersaTrax crawlers are primarily used for pipeline, tunnel, and trenchless inspections, these versatile robotic crawlers are capable of so much more - their full potential awaits your bespoke application. Adaptable track configuration makes the VersaTrax suitable for both curved pipe and flat surfaces.

The travel distance allows it to be utilized for short or long-range operations. The carrying capacity enables operators to mount additional tools or sensors, and the unique tracks allow continuous usage in harsh and dirty environments.

With a 60m (200ft) depth rating, the VersaTrax family of crawlers are ideal for submerged assessments or wet and humid environments. Say hello to stress-free in-service inspections and painless maintenance schedules.



Live camera stream

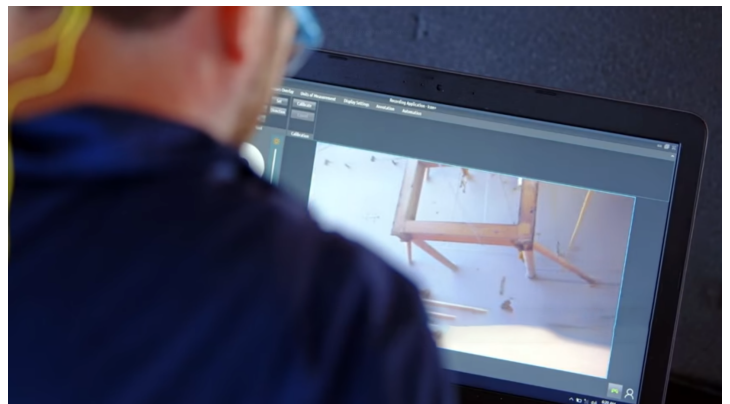
VersaTrax crawlers are equipped with a robust camera that can stand up to the toughest conditions. Offering a super low latency video stream allows you to easily navigate around obstacles and make instant decisions while the crawler is 1km (0.6 mi) away.

Many camera options are available, ranging from full Pan, Tilt, and Zoom (PTZ) to the compact PT Spectrum camera.

Simple and optimized interface

VersaTrax utilizes Eddyfi Technologies ICON™ software. Whichever crawler the operator uses, the software interface stays the same, allowing you to reduce the amount of time spent training and flattening the learning curve.

Software features include crawler operation, project/job image tagging and annotation, video recording, sensor data recording, plugins providing automation, and more.



Talk to our experts to discuss which robotic crawler is best suited for your application.

SPECIFICATIONS

DESCRIPTION	VT-P205	VT-P320
Minimum pipe opening	205mm (8in)	320mm (12.5in)
Maximum tether length	300m (1000ft)	1000m (3300ft)
Maximum speed	9m (30ft) per minute	6.4m (21ft) per minute
Maximum pulling capacity (with weight kit)	8Kg (18lb)*	53Kg (116lb)*
Vehicle weight	6.8kg (15lb)	45kg (100lb)
Maximum payload (weight)	15kg (33lb)	68kg (150lb)
Camera	Spectrum 45 PT camera and rear auxiliary camera	Spectrum 90 PTZ camera and rear auxiliary camera Optional: Spectrum 120 HD PTZ camera and rear auxiliary camera
Controller	IC100 portable controller	IC500 portable controller
Lighting	2x auxiliary LED lights	2x auxiliary LED lights
Depth Rating	60m (200ft)	60m (200ft)
Operating temperature	Normal: 0°C to 45°C (32F to 113F) Limited: -10° to 45°C (14F to 113F)**	Normal: 0°C to 45°C (32F to 113F) Limited: -10° to 45°C (14F to 113F)**

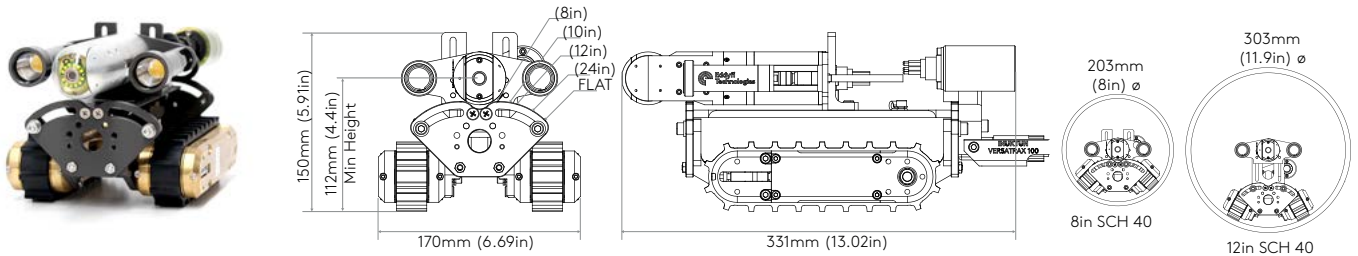
*Actual pulling capacity is affected by surface condition.

**Running outside the normal operating condition for prolonged periods of time can affect system performance and reduce life expectancy of some components.

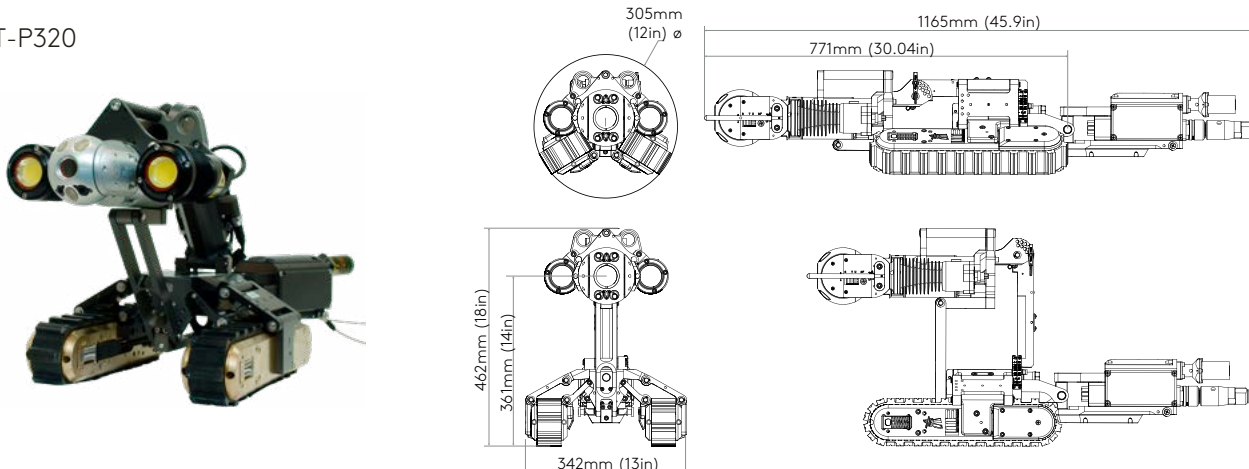
Standard Dimensions

Units in mm (in)

VT-P205



VT-P320



The information in this document is accurate as of its publication. Actual products may differ from those presented herein. © 2023 Eddyfi Canada Inc. VersaTrax, Spectrum, ICON and their associated logos are trademarks or registered trademarks of Eddyfi Robotics. (wholly owned subsidiary of Eddyfi Canada Inc.) in Canada and/or other countries. Eddyfi Technologies reserves the right to change product offerings and specifications without notice. Eddyfi Technologies is a Previa Business Unit.