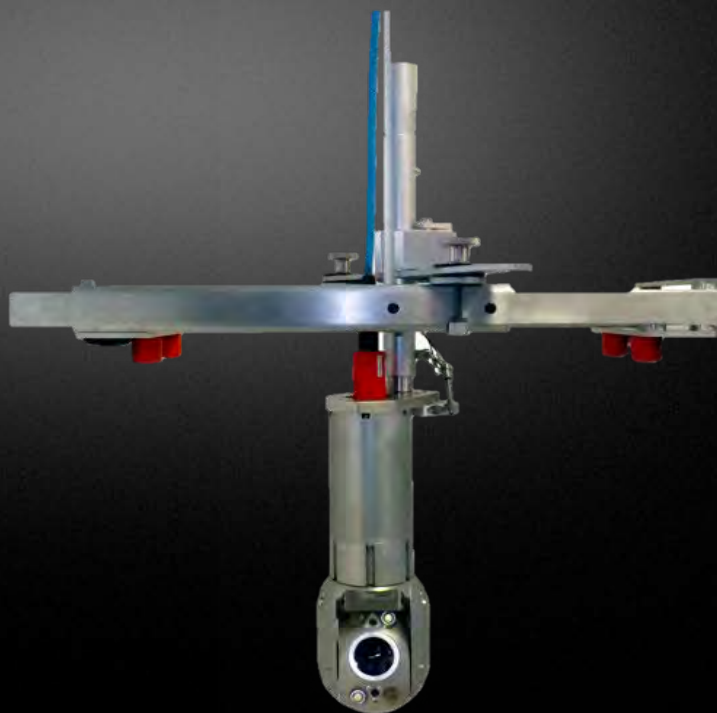


Spectrum™

Rugged and Portable Inspection Cameras



PTZ INSPECTION CAMERAS

Simply the best in its class, period.

Unmatched detection capability

Often overlooked at the expense of pixel count, the minimum defect size is one of the key parameters for assessing defects or corrosion. Spectrum cameras have been engineered to see things impossible to view with the naked eye.

Robust by design

Spectrum pan, tilt, zoom (PTZ) cameras have been engineered to withstand water, dust, and harsh environments. The standard depth rating being 60m/200ft makes it the perfect companion for splash zone or underwater applications. Spectrum cameras are designed to higher standards and are built to last.

Simple and efficient setup

Using a dedicated camera controller and our well known ICON™ software, the inspection setup has never been more straightforward. Designed with the user in mind, ICON keeps the work in the field as simple as possible while allowing in-depth analysis offsite.

Spectrum camera features

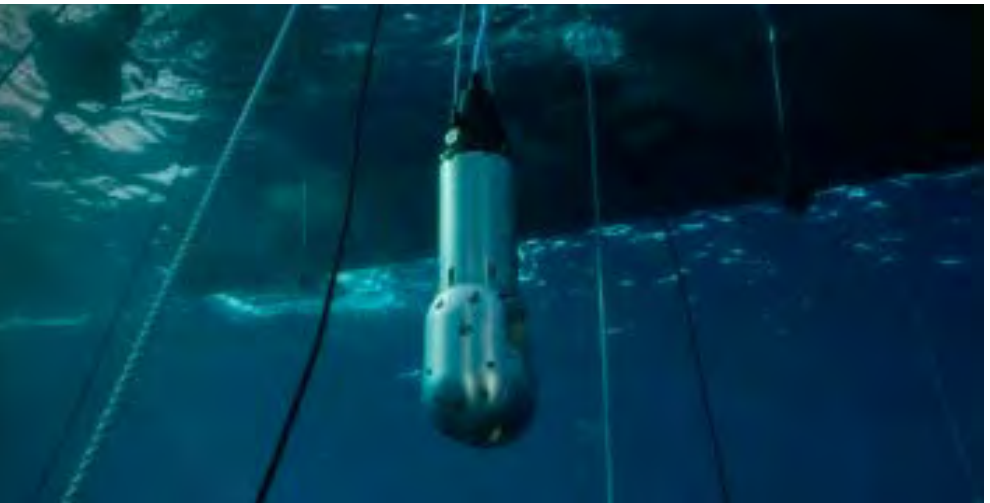
- 360° continuous pan and 260° tilt
- Up to FHD resolution, 30x optical zoom, 12x digital zoom (120)
- Anodized, rugged aluminum body (stainless steel optional)
- Variable LED lighting
- 60m/196ft depth rating (optional 300m/1000ft)
- Overlay and customizable ICON interface
- Automated inspection routine (with ICON STD)

Spectrum camera kit

- ICON controller 100 for control and analysis
- ICON Companion software one-year subscription
- Spectrum™ camera
- 30m/100ft for tether on a reel
- Connector protection cover for drop camera operations

Key Applications

- Tank Inspection
- Vessel Inspection
- FPSO Tank Inspection
- Confined Space Entry
- Mine Shafts and Boreholes
- Underwater Drop Camera
- Nuclear Drop Camera



Spectrum 45 - 45 mm diameter
Pan and Tilt with 420TVL resolution



Spectrum 90 - 90 mm diameter
tilt, and zoom with 720TVL resolution



Spectrum 120 - 120 mm diameter pan,
pan, tilt, and zoom with full HD resolution



STIK AUTOMATED CAMERA SYSTEM

Let the camera do the work. STIK™ offers full 360-degree internal tank and vessel inspection capabilities.

Incredible details from far away

Remove the risks associated with confined space and tank entry. The 30x optical zoom combined with the FHD sensor compatibility allows you to have an incredible view from a safe place.

Enhanced automation software

Creating repeatable and quality data is fast and straightforward with ICON™ automation. With the STIK system, users can run predefined routines with ICON STD or create their own with ICON PRO. In any case, inspections will always be performed in the same way while ensuring the user's safety by avoiding unnecessary confined space entry.

STIK system features

- 360° continuous pan and 260° tilt
- Up to FHD resolution
- 30x optical zoom, 12x digital zoom (120)
- Anodized, rugged aluminum body (Stainless steel optional)
- Variable LED lighting
- Hatch diameter range 43-92cm/17-36in
- 60m (200ft) depth rating (300m/1000ft optional)
- ICON interface automated inspection routine (ICON STD)



Key Applications

- Tank Inspection
- Vessel Inspection
- Confined Space Entry
- Mine Shafts

Spectrum™ camera kit

- ICON controller 100 for control and analysis
- ICON Standard software one-year subscription
- Spectrum 120 PTZ HD camera with 30x optical zoom.
- 100m/330ft for tether on a reel



HANDHELD AND PUSH INSPECTION CAMERAS

Rugged, high-resolution, and versatile camera systems.
No limit to visual inspections.

Utility and safety camera

Take matters into your own hands. Handheld and push cameras are typically used for safety monitoring and post-cleaning inspection. User friendly, relatively low cost, and durable making them the perfect companion for rough and critical confined space cleaning and inspection.

Robust by design

Handheld cameras and Diamond push cameras have been engineered to be even more robust than Spectrum™ camera. The Handheld camera features rubber bumpers for additional drop protection, while the push camera has a reinforced protective ring and enhancement strain relief for tether protection.



Handheld camera features

- HD resolution, 10x optical zoom, and 12x digital zoom
- LED lights
- Splash resistant
- Rugged casing with bumpers
- 1.7kg (3.7lb)
- w:115 × h:150 × l:250mm/w:4.5 × h:6 × l:10in
- Mounting holes

Handheld camera system

- 2U Rackmount interface box for dual HD camera
- 2U Rackmount computer
- ICON Standard software one-year subscription
- Handheld rugged HD camera
- 90m/300ft of tether

Key applications

- Manned structural integrity assessments of catalyst towers, storage tanks, pressure vessels, and other capital assets in any sector
- Safety camera (life support) in confined space entry
- Validation of cleaning in vessels and reactors
- Small diameter pipe inspection



Diamond push camera features

- HD resolution
- LED light ring
- 50mm/2in outside diameter
- Depth rated to 30m/100ft
- Typical bend radius 5D (minimum bend radius varies with pipe diameter, distance, and centering device)
- Standard configuration for internal diameter of 75mm/3in
- Optional diameter range 63.5, 100, and 150mm/2.5, 4, 6in

Push camera system

- ICON controller 100, for control and analysis
- ICON Companion software one-year subscription
- Diamond HD push camera
- 40m/140ft of push tether with reel
- Deck cable for controller connection

The information in this document is accurate as of its publication. Actual products may differ from those presented herein. © 2021 Eddyfi NDT, Inc. Crystal Cam, IM3, MaggHD, Versatrax, and their associated logos are trademarks or registered trademarks of Eddyfi Robotics. (wholly owned subsidiary of Eddyfi NDT, Inc.) in Canada and/or other countries. Eddyfi Technologies reserves the right to change product offerings and specifications without notice.